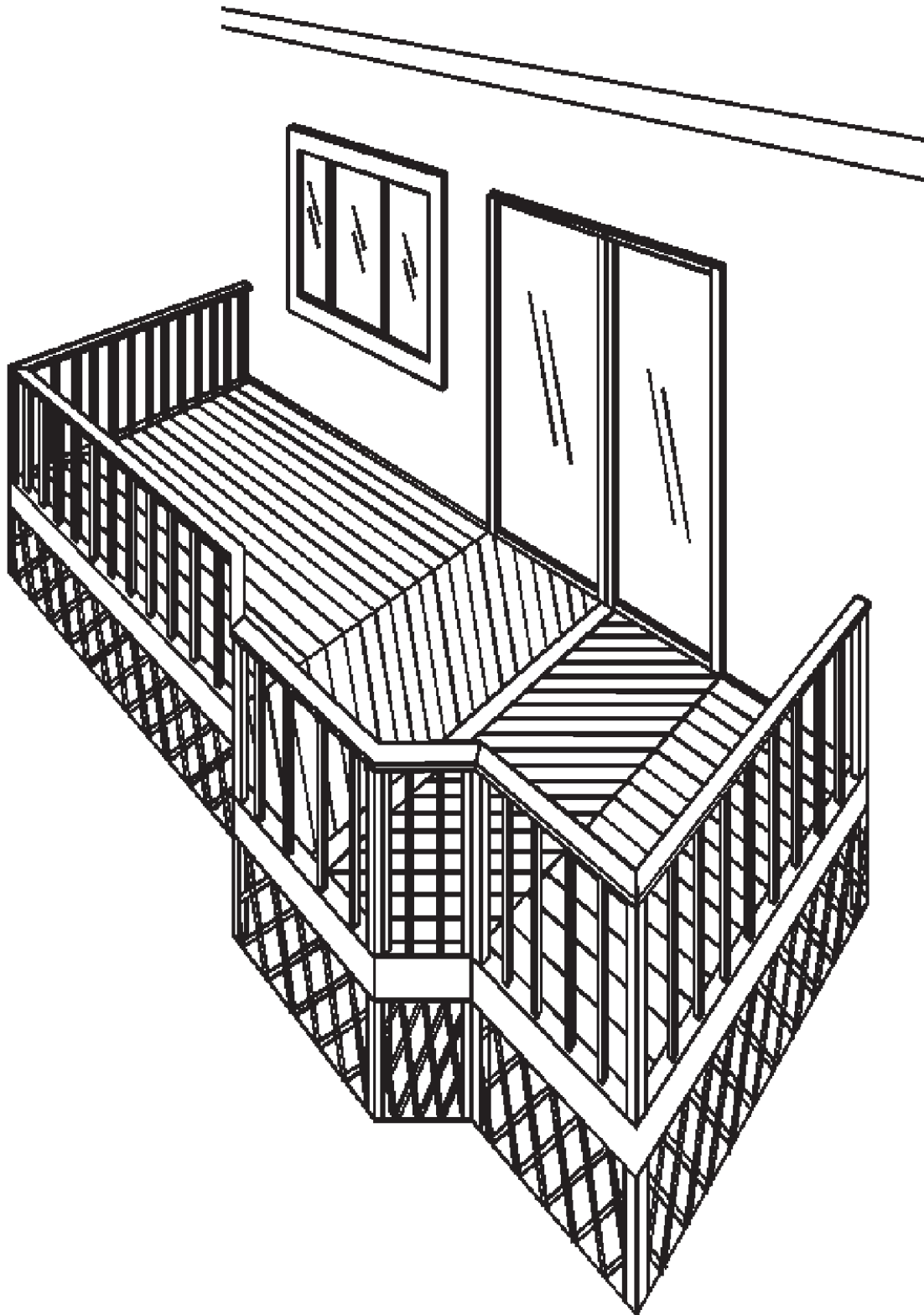
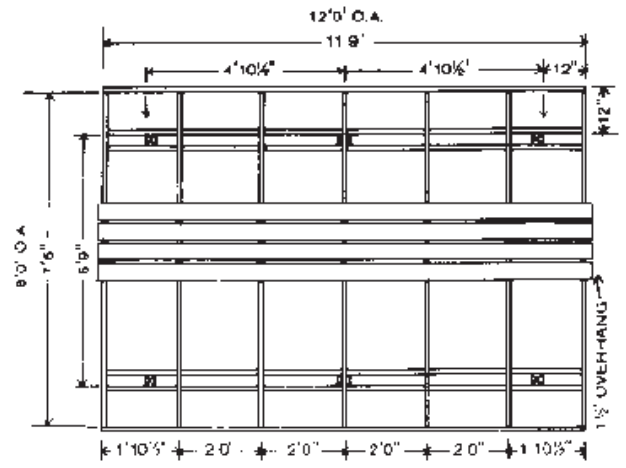
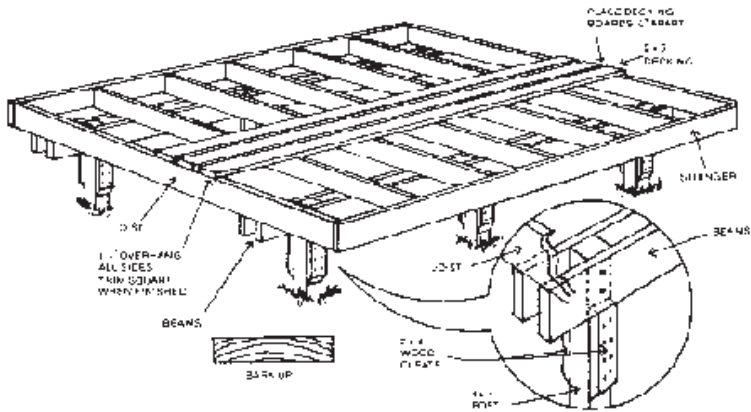


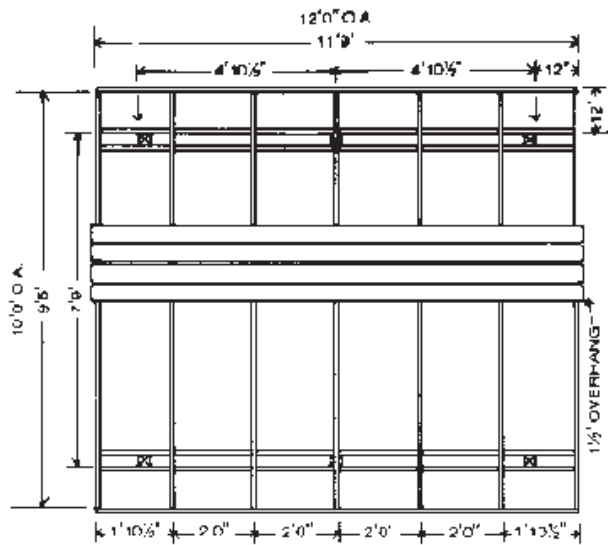
# Deck Project Plans



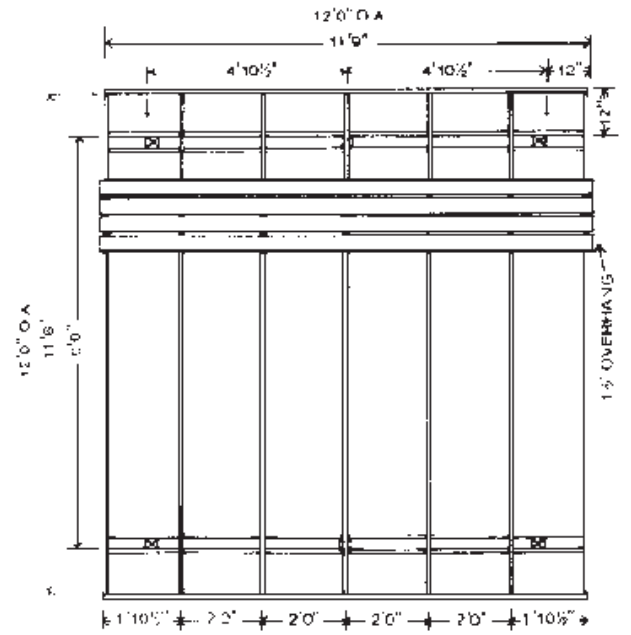
# CONSTRUCTION DETAILING



**8' x 12' DECK**

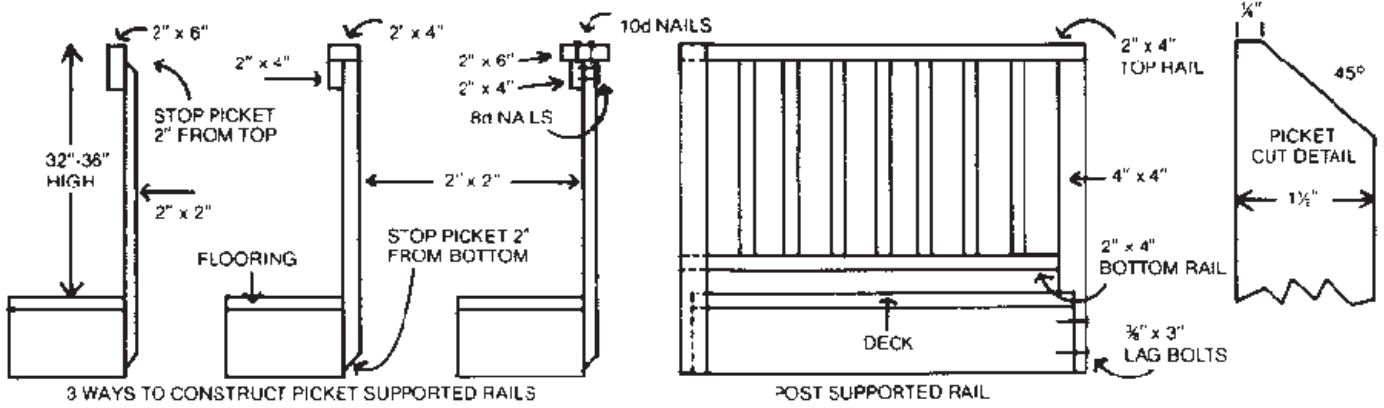


**10' x 12' DECK**

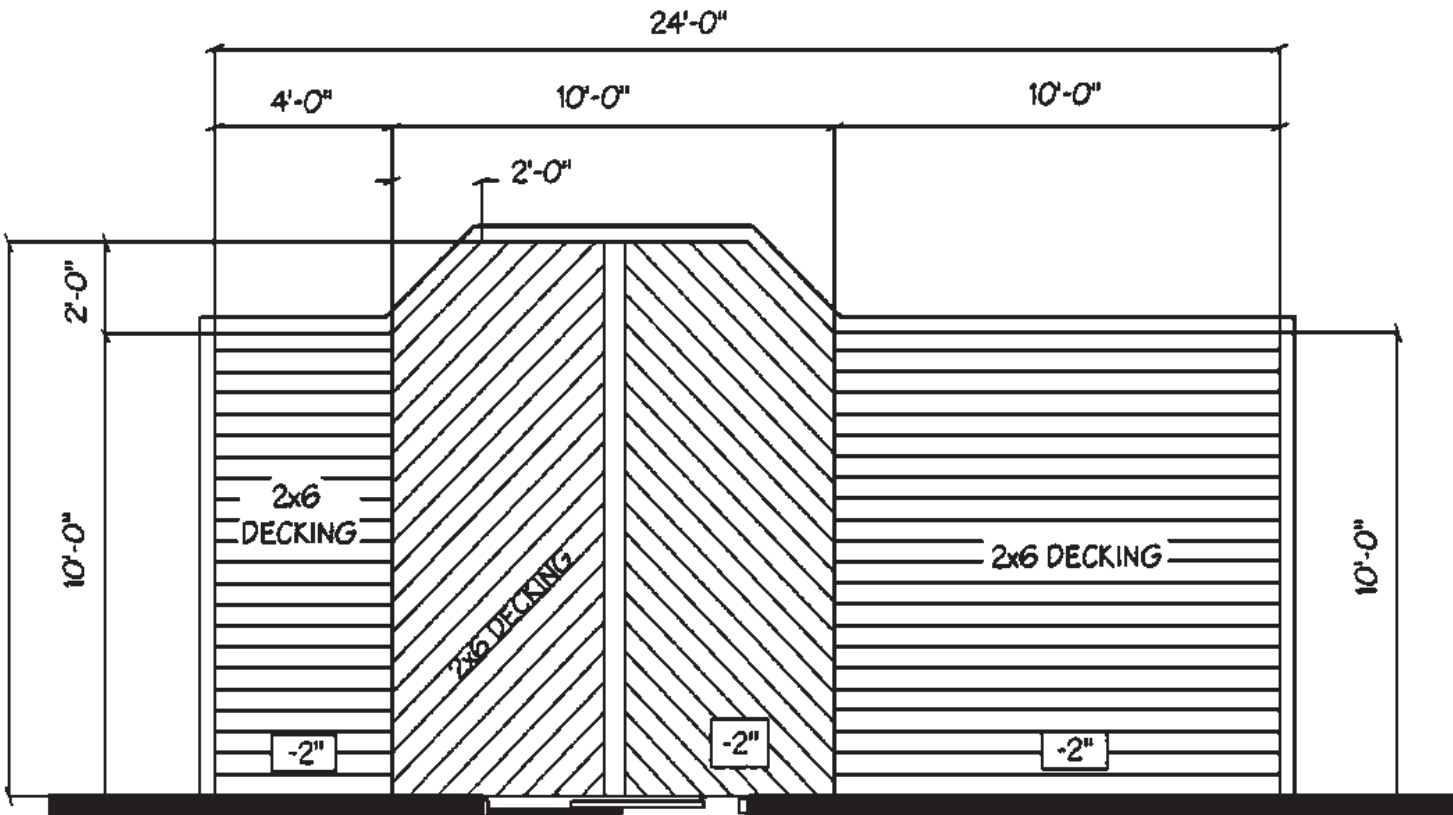
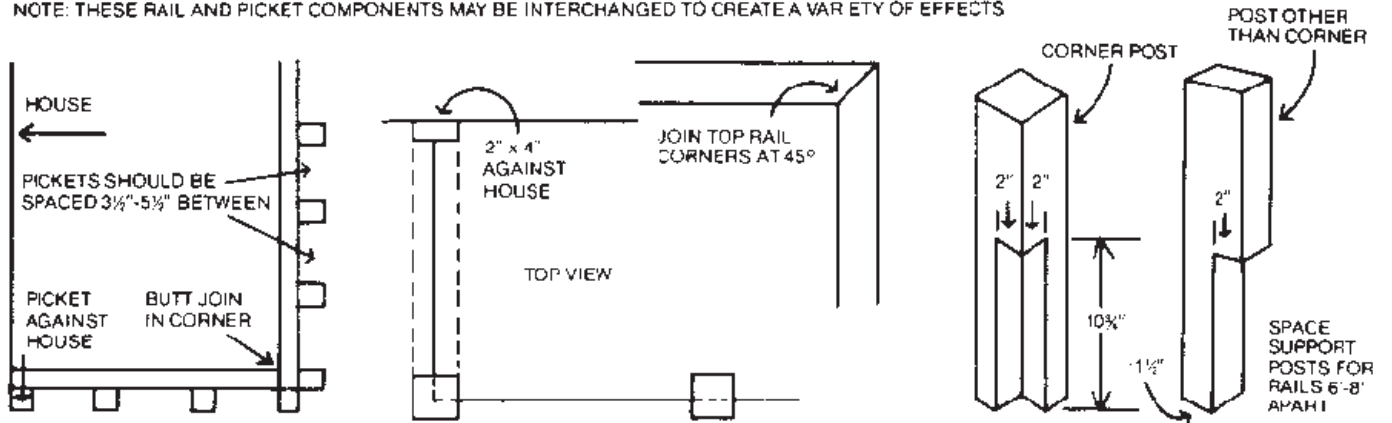


**12' x 12' DECK**

# RAILING DETAILS



NOTE: THESE RAIL AND PICKET COMPONENTS MAY BE INTERCHANGED TO CREATE A VARIETY OF EFFECTS



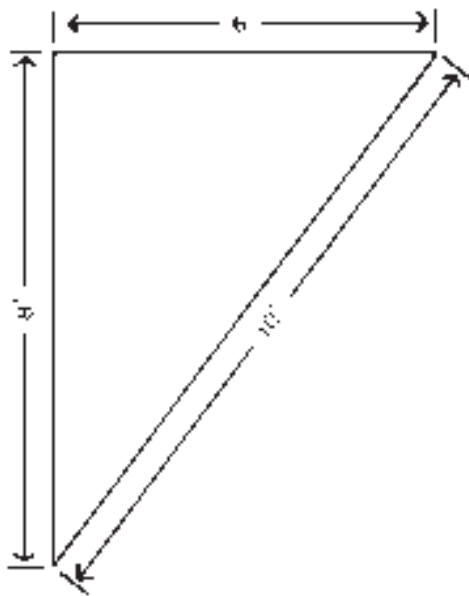


ILLUSTRATION A

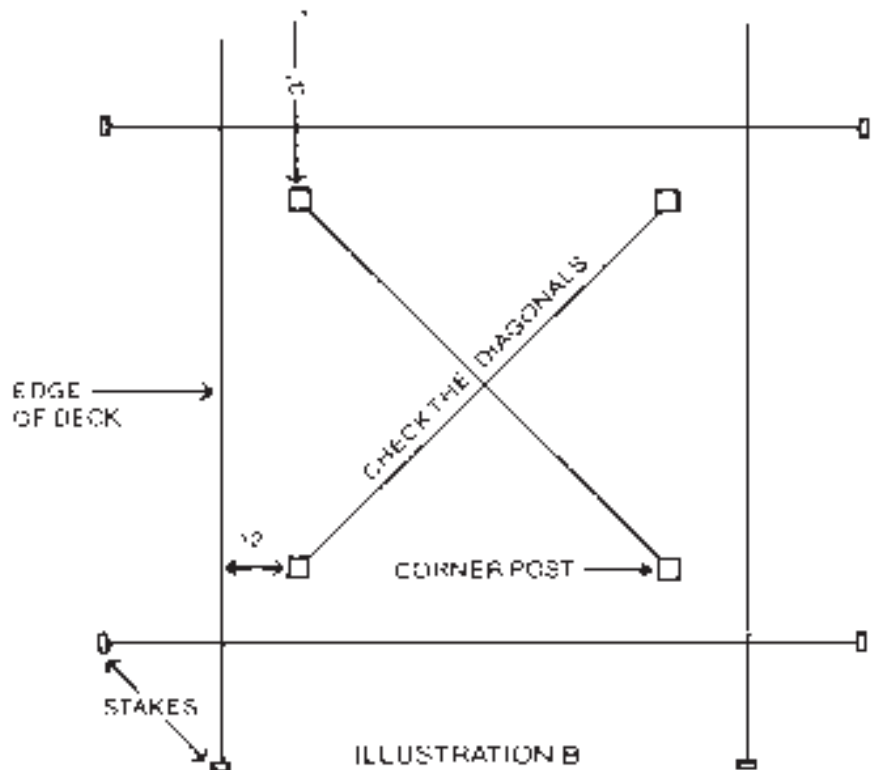


ILLUSTRATION B

### PRESSURE TREATED LUMBER LIST:

#### 8' x 12' DECK

BEAMS	4 pcs	2x6-12'
JOISTS	7 pcs	2x6-8'
STRINGERS	2 pcs	2x6-12'
POSTS	6 pcs	4x4
CLEATS	2 pcs	2x4-6'
		(Cut into 12" lengths.)
DECKING	17 pcs	2x6-12'

#### 12' x 12' DECK

BEAMS	4 pcs	2x8-12'
JOISTS	7 pcs	2x8-12'
STRINGERS	2 pcs	2x8-12'
POSTS	6 pcs	4x4
CLEATS	2 pcs	2x4-6'
		(Cut into 12" lengths.)
DECKING	25 pcs	2x6-12'

#### 10' x 12' DECK

BEAMS	4 pcs	2x8-12'
JOISTS	7 pcs	2x8-10'
STRINGERS	2 pcs	2x8-12'
POSTS	6 pcs	4x4
CLEATS	2 pcs	2x4-6'
		(Cut into 12" lengths.)
DECKING	21 pcs	2x6-10'