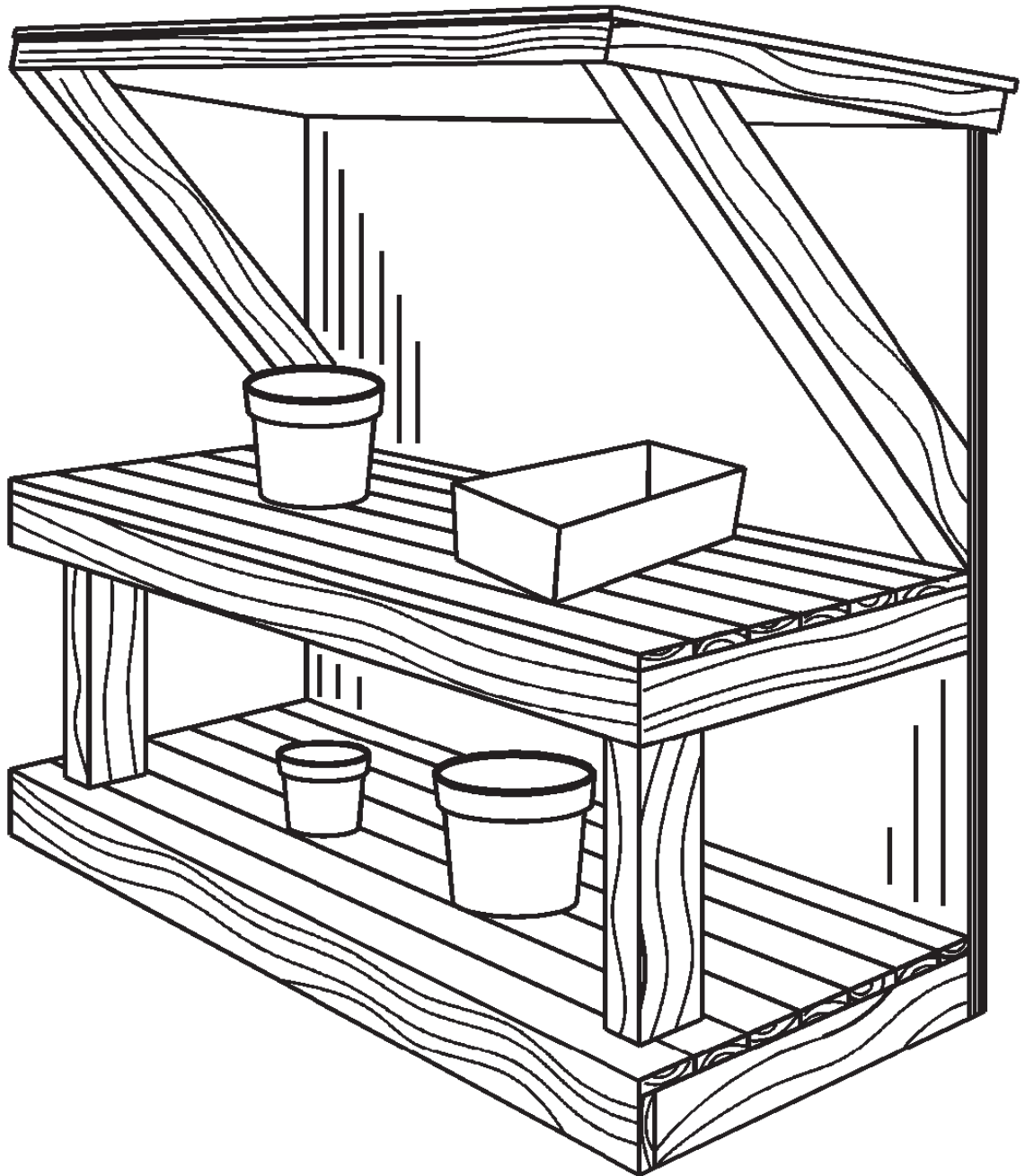
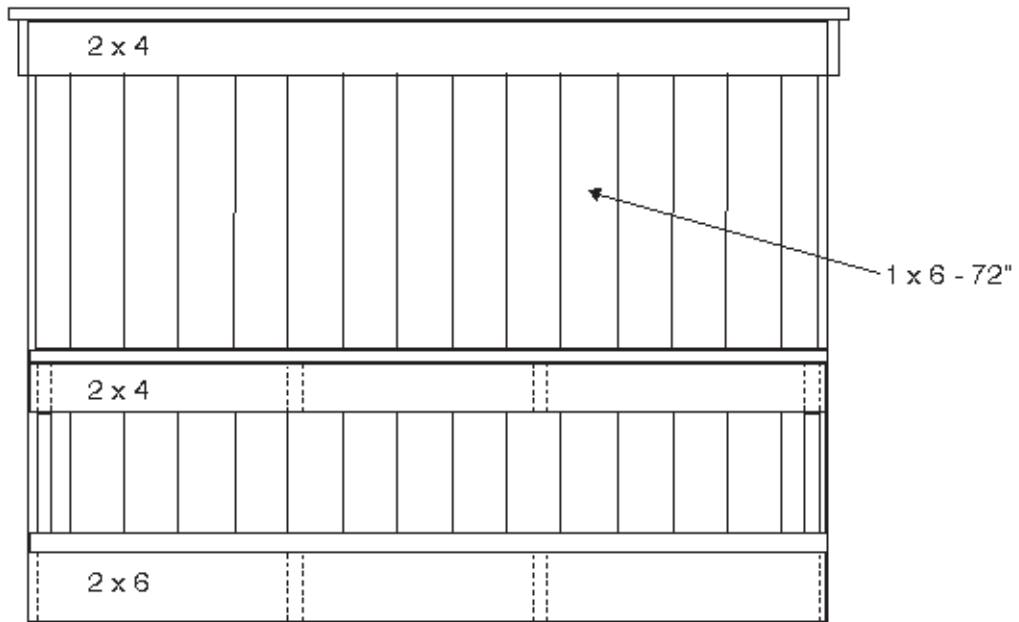


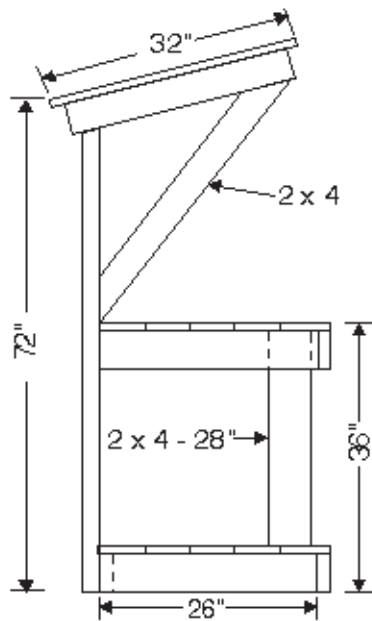
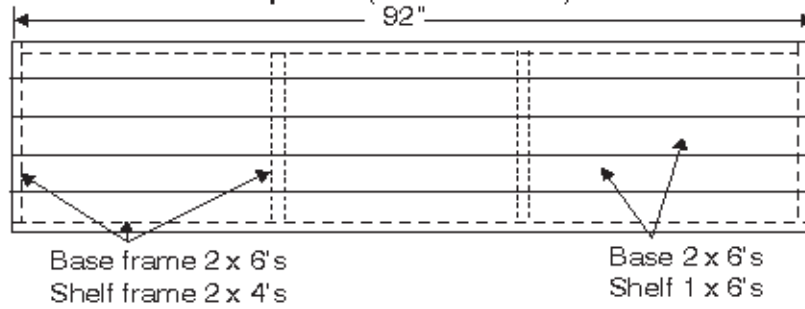
Garden Bench Project Plans



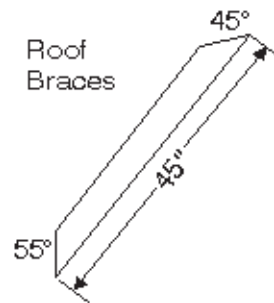
FRONT VIEW



Top View (shelf and base)



SIDE VIEW



LUMBER

- ▲ (1) 4' X 8' - 1/2" Plywood
 - ▲ (3) 2" x 4" - 8'
 - ▲ (3) 2" x 4" - 12'
 - ▲ (5) 2" x 6" - 8'
 - ▲ (2) 2" x 6" - 12'
 - ▲ (5) 1" x 6" - 8'
 - ▲ (8) 1" x 6" - 12'
- Choice of Roof Covering
Hardware as required