

Mailbox Project Plans

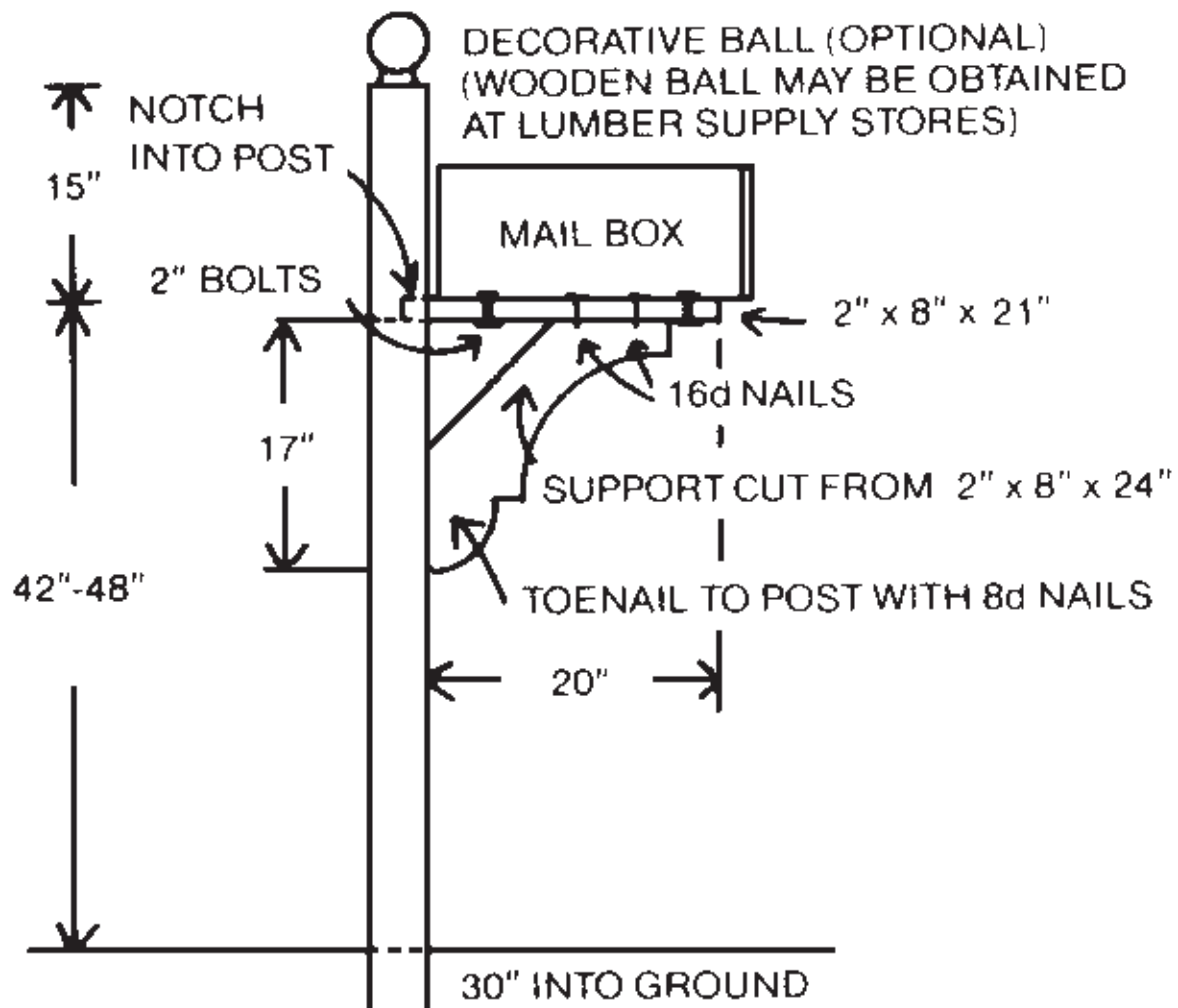
MATERIALS

PRESSURE TREATED LUMBER:

- 1 pc 4" x 4" x 8' Post
- 1 pc 2" x 8" x 24" Support
- 1 pc 2" x 8" x 21" Mail box shelf

HARDWARE:

- 2 2" x 1/4" Zinc-plated bolts with nuts and washers
- 16d and 8d Hot-dipped, galvanized nails
- Decorative ball (optional)



Mailbox with Planter Project Plans

MATERIALS

PRESSURE TREATED LUMBER:

- 1 pc 4" x 4" x 8' Post
- 1 pc 4" x 4" x 39½" Cross piece
- 1 pc 4" x 4" x 18" Support
- 1 pc 2" x 8" x 16" Under planter
- 1 pc 2" x 8" x 20" Under mail box

HARDWARE:

- 2 5½" x ⅜" Zinc-plated bolts with nuts and washers
- 16d and 8d Hot-dipped, galvanized nails

