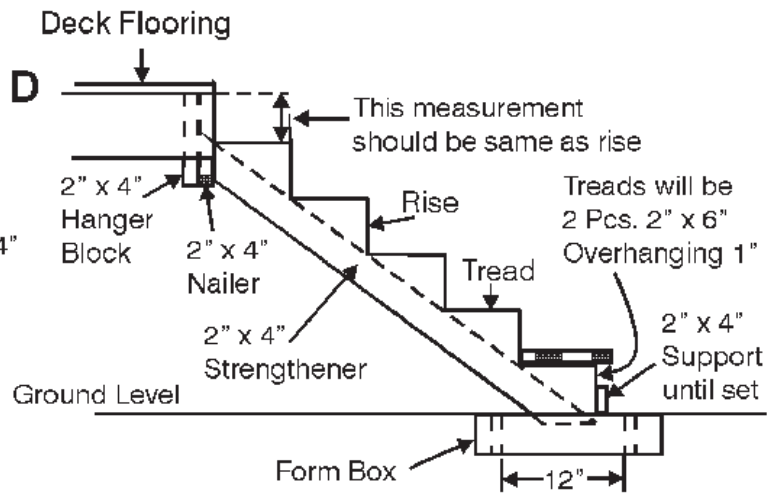
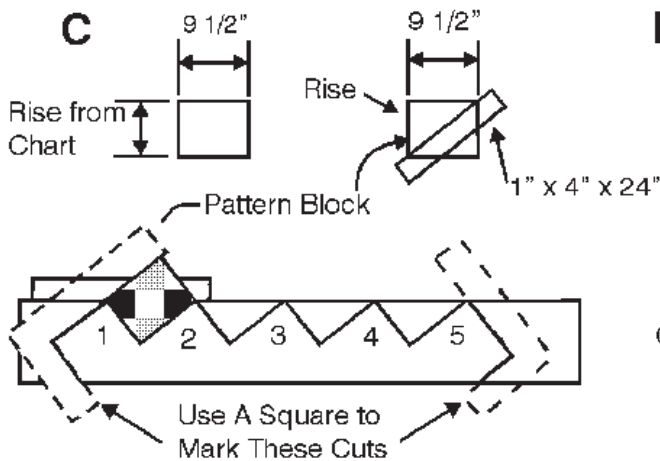
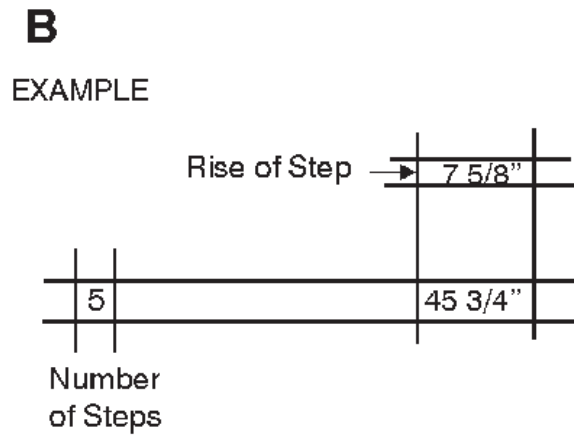
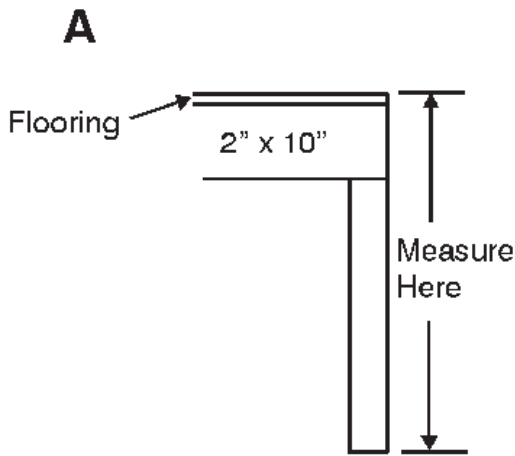
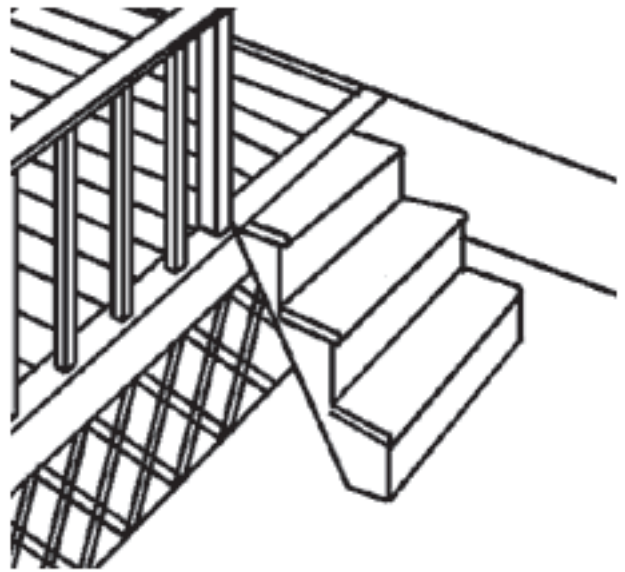
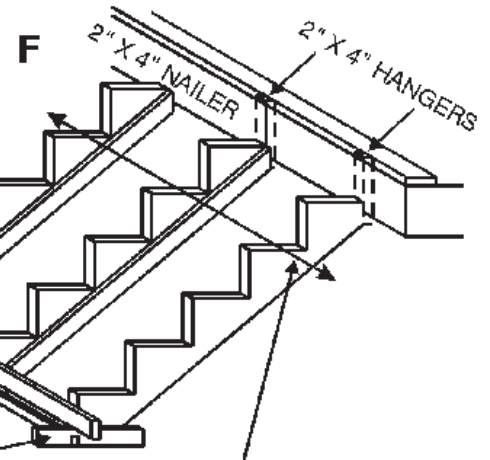
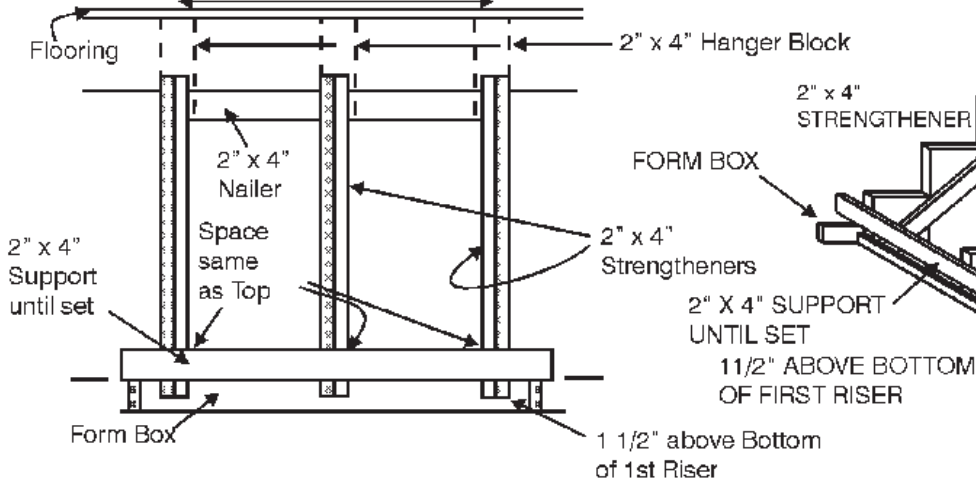


# Stairs

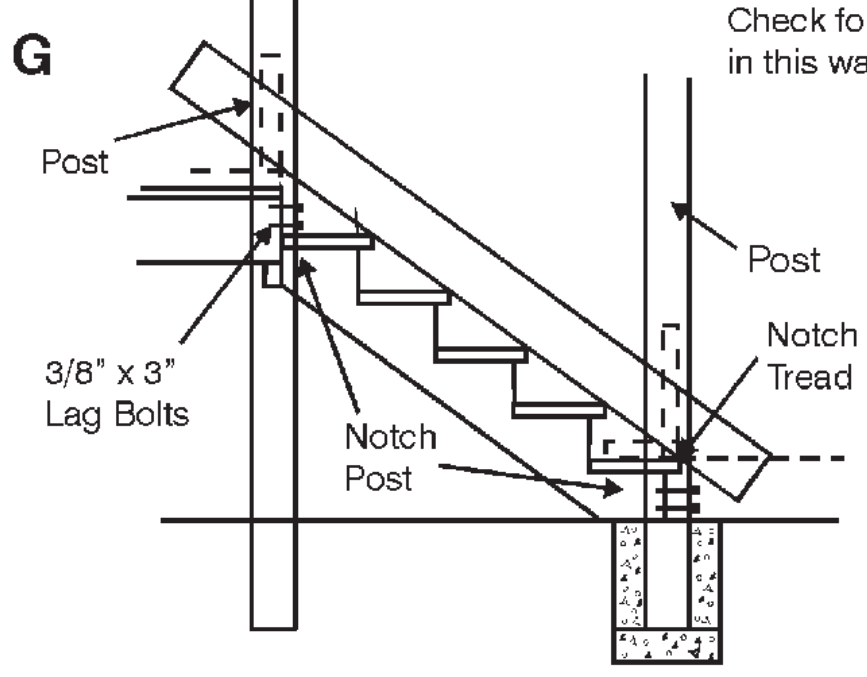
## Project Plans



**E** Standard Width of Stairs is 36",  
may be wider, but it is inadvisable to build steps narrower



USE A STRAIGHT EDGE, A 4" LEVEL  
OR A STRAIGHT EDGE WITH A LEVEL ON TOP  
TO LEVEL ACROSS ALL 3 STRINGERS



Check for Level and Plumb  
in this way before pouring concrete

