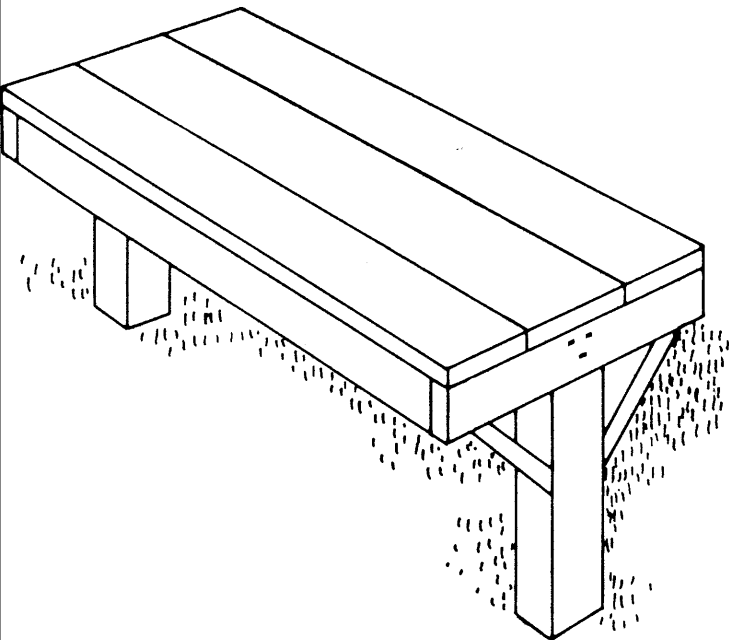


PERMANENT YARD BENCH



MATERIALS

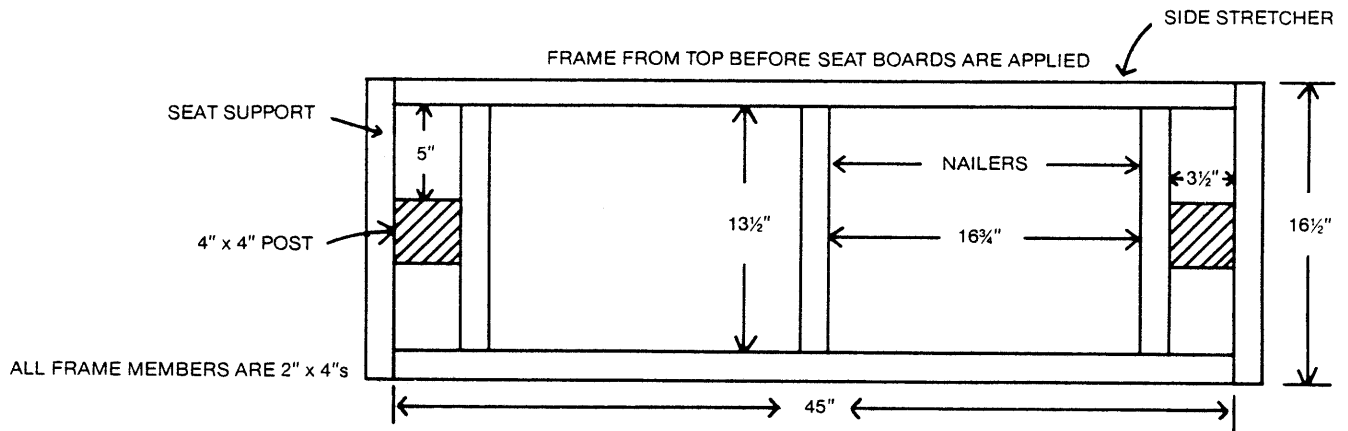
PRESSURE TREATED LUMBER:

- | | |
|-------------------------|----------------------------------|
| 2 pcs 4" x 4" x 48" | Posts |
| 2 pcs 2" x 4" x 45" | Side stretchers |
| 2 pcs 2" x 4" x 16 1/2" | Seat support |
| 3 pcs 2" x 4" x 13 1/2" | Nailers |
| 4 pcs 2" x 4" x 9 1/2" | Braces (cut at 45° across grain) |
| 3 pcs 2" x 6" x 48" | Seat Boards |

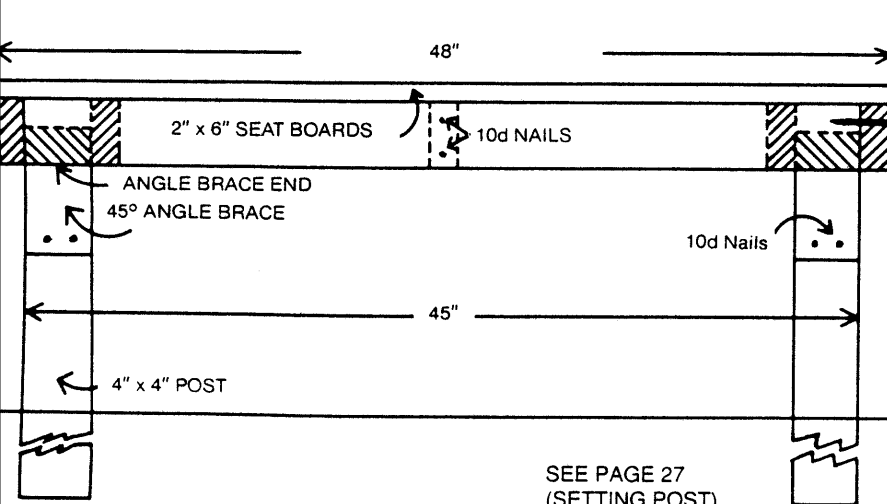
HARDWARE:

- | | |
|-----------------|------------------------------------|
| 6 pcs 3/8" x 3" | Zinc-plated lag bolts with washers |
| 10d | Hot-dipped, galvanized nails |

TOP VIEW

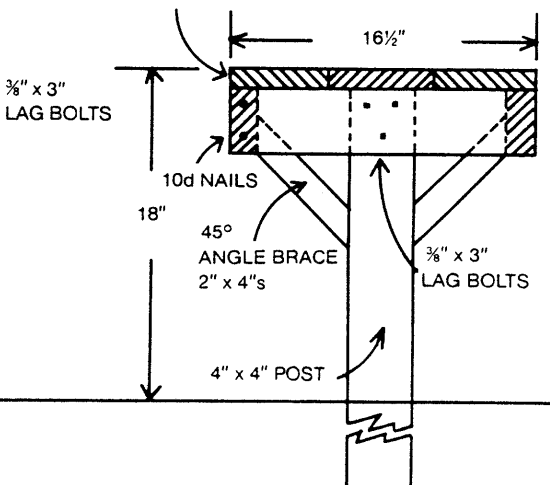


FRONT VIEW



2" x 6" SEAT BOARDS

END VIEW



SEE PAGE 27
(SETTING POST)