



**Design No. V335**  
**Design No. V335**  
**BXUV.V335**  
**Fire-resistance Ratings - ANSI/UL 263**

[Page Bottom](#)

---

**Design/System/Construction/Assembly Usage Disclaimer**

- Authorities Having Jurisdiction should be consulted in all cases as to the particular requirements covering the installation and use of UL Certified products, equipment, system, devices, and materials.
- Authorities Having Jurisdiction should be consulted before construction.
- Fire resistance assemblies and products are developed by the design submitter and have been investigated by UL for compliance with applicable requirements. The published information cannot always address every construction nuance encountered in the field.
- When field issues arise, it is recommended the first contact for assistance be the technical service staff provided by the product manufacturer noted for the design. Users of fire resistance assemblies are advised to consult the general Guide Information for each product category and each group of assemblies. The Guide Information includes specifics concerning alternate materials and alternate methods of construction.
- Only products which bear UL's Mark are considered Certified.

---

**Design/System/Construction/Assembly Usage Disclaimer**

- Authorities Having Jurisdiction should be consulted in all cases as to the particular requirements covering the installation and use of UL Certified products, equipment, system, devices, and materials.
- Authorities Having Jurisdiction should be consulted before construction.
- Fire resistance assemblies and products are developed by the design submitter and have been investigated by UL for compliance with applicable requirements. The published information cannot always address every construction nuance encountered in the field.
- When field issues arise, it is recommended the first contact for assistance be the technical service staff provided by the product manufacturer noted for the design. Users of fire resistance assemblies are advised to consult the general Guide Information for each product category and each group of assemblies. The Guide Information includes specifics concerning alternate materials and alternate methods of construction.
- Only products which bear UL's Mark are considered Certified.

---

**BXUV - Fire Resistance Ratings - ANSI/UL 263 Certified for United States**

**BXUV7 - Fire Resistance Ratings - CAN/ULC-S101 Certified for Canada**

[See General Information for Fire-resistance Ratings - ANSI/UL 263 Certified for United States Design Criteria and Allowable Variances](#)

[See General Information for Fire Resistance Ratings - CAN/ULC-S101 Certified for Canada Design Criteria and Allowable Variances](#)

**Design No. V335**

April 03, 2018

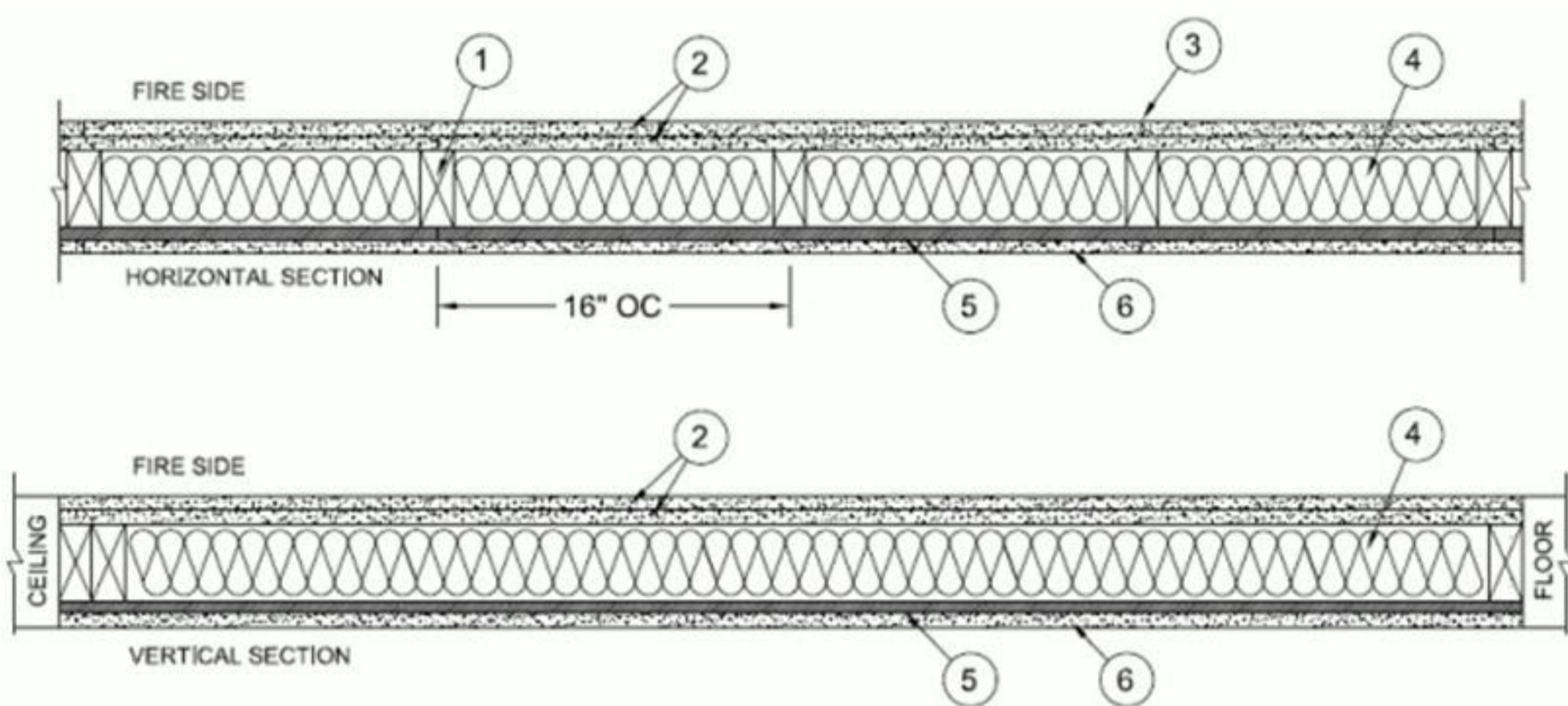
**Bearing Wall Rating — 2 Hr**

**(EXPOSED TO FIRE ON INTERIOR FACE ONLY)**

**Finish Rating — 52 min**

**Loaded Per 2012 NDS Supplement, ASD Method, Wall Braced Mid-Height**

**\* Indicates such products shall bear the UL or cUL Certification Mark for jurisdictions employing the UL or cUL Certification (such as Canada), respectively.**



1. **Framing Members\*** — Pressure-treated, fire-retardant Wood Studs - nominal 2 by 4 in., spaced 16 in. OC effectively fire stopped. As an option, pressure-treated, fire-retardant Wood Studs nominal 2 by 6 in., spaced 16 in. OC effectively fire-stopped.

**VIANCE L L C** — D-BLAZE® treated lumber

2. **Gypsum Board\*** — Any 5/8 in. thick UL Classified Gypsum Board that is eligible for use in Design Nos. L501, G512, or U305 - Nom 5/8 in. thick, 4 ft. wide, two layers applied vertically. Base layer nailed to wood studs and bearing plates 6 in. OC. with 6d cement coated nails, 1-7/8 in. long, 0.0915 in. shank diam. and 1/4 in. diam. head. The face layer, with joints staggered from base layer, nailed to the studs and bearing plates over the base layer, 8 in. OC with 8d cement coated nails, 2-3/8 in. long, 0.113 in. shank diam. 9/32 in. diam. head. See Gypsum Board \* (CKNX) category for a list of Classified Manufacturers.

3. **Joints and Nail heads** — Gypsum board joints covered with tape and joint compound. Nail heads covered with joint compound.

4. **Batts and Blankets** — Faced or unfaced mineral fiber or fiberglass insulation (only for use with brick exterior facing) 3-1/2 in. thick, min 1.46 pcf, pressure fit in the wall cavity between stud, plates, and cross bracing. Insulation may be applied in multiple layers to achieve final thickness.

4A. **Batts and Blankets\*** — Unfaced or faced mineral wool insulation, 3-1/2 in. thick, min 3.0 pcf, friction fit in the wall cavity between the studs, plates and cross bracing. Insulation may be applied in multiple layers to achieve final thickness. See Batts and Blankets\* (BZJZ) category for names of Classified manufacturers.

5. **Building Units\*** — Pressure-treated, fire-retardant plywood installed vertically nailed to the wood framing with 1-7/8 in. long, 6d nails, spaced 6 in. OC. on the perimeter and 12 in. OC. in the field. Vertical and horizontal joints are backed by framing. Panels provided in nominal size of 48 in. wide by 96 in. long by 15/32 in. thick.

**VIANCE L L C** — D-BLAZE® treated plywood

5A. **Foamed Plastic\*** — (Optional — for use with Item 5) — Foamed plastic boards, faced or unfaced, may or may not be bonded to fiberboard, plywood or OSB and placed between building units (Item 5) and exterior facings (Item 6). See **Foamed Plastic\*** (CCVW) category for names of Classified manufacturers.

5B. **Building Units\*** — See **Building Units\*** (BZJZ) category for names of Classified manufacturers.

6-6F. **Exterior Facings** — For use with item 4A— Any exterior facing, as authorized by the Authority having Jurisdiction and installed in accordance with the manufacturer's installation instructions. Exterior facings may include but are not limited to:

6A. **Molded Plastic\*** — Solid vinyl siding mechanically secured to framing members in accordance with manufacturer's recommended installation details.

6B. **Brick** — Brick veneer, meeting the requirements of local code agencies. Brick veneer attached to the studs with corrugated metal wall ties attached to each stud with 8d cement coated nails, every sixth course of bricks.

6C. **Particle Board Siding** — Oriented strand board, wafer board, or hard board exterior building sidings including patterned panels.

6D. **Plywood** — American Plywood Association rated siding including T1-11 and series 303 textures, rough sawn, MDO, brushed, channel grooved, and lap siding.

6E. **Cementitious Stucco** — Portland cement or synthetic stucco systems (e.g. EIFS) with self-furring metal lath or adhesive base coat. Thickness from 3/8 in. to 3/4 in. depending on system.

6F. **Fiber Cement Siding** — Fiber Cement Lap or Vertical Siding. Minimum 5/16 in. thick, fastened to studs through the Building Units, Item 5, with nails or screws, at the locations specified by the manufacturer.

7. **Exterior Facings** — Not Shown - For use with item 4— **Brick veneer**, meeting the requirements of local code agencies. Brick

veneer attached to the studs with corrugated metal wall ties attached to each stud with 8d cement coated nails, every sixth course of bricks.

**\* Indicates such products shall bear the UL or cUL Certification Mark for jurisdictions employing the UL or cUL Certification (such as Canada), respectively.**

Last Updated on 2018-04-03

---

[Questions?](#)

[Print this page](#)

[Terms of Use](#)

[Page Top](#)

© 2018 UL LLC

The appearance of a company's name or product in this database does not in itself assure that products so identified have been manufactured under UL's Follow-Up Service. Only those products bearing the UL Mark should be considered to be Certified and covered under UL's Follow-Up Service. Always look for the Mark on the product.

UL permits the reproduction of the material contained in the Online Certification Directory subject to the following conditions: 1. The Guide Information, Assemblies, Constructions, Designs, Systems, and/or Certifications (files) must be presented in their entirety and in a non-misleading manner, without any manipulation of the data (or drawings). 2. The statement "Reprinted from the Online Certifications Directory with permission from UL" must appear adjacent to the extracted material. In addition, the reprinted material must include a copyright notice in the following format: "© 2018 UL LLC".